

YASKAWA – ROBOTY, SYSTEMY, EDUKACJA

CKP Mielec

Artur Wojewoda
Prezes Zarządu Yaskawa Polska

PRODUKTY

Globalny lider

Dostawca technologii automatyki i robotyki



Roboty przemysłowe

43 k



Przeмиenniki częstotliwości

1,9 M



Serwo napędy

3,6 M

Roczny wolumen produkcji

540 k

32 M

25 M

Zainstalowanych sztuk

INNOWACJE

Autor

Mechatronika

Przedstawienie całościowej koncepcji systemów inżynierskich (1969).

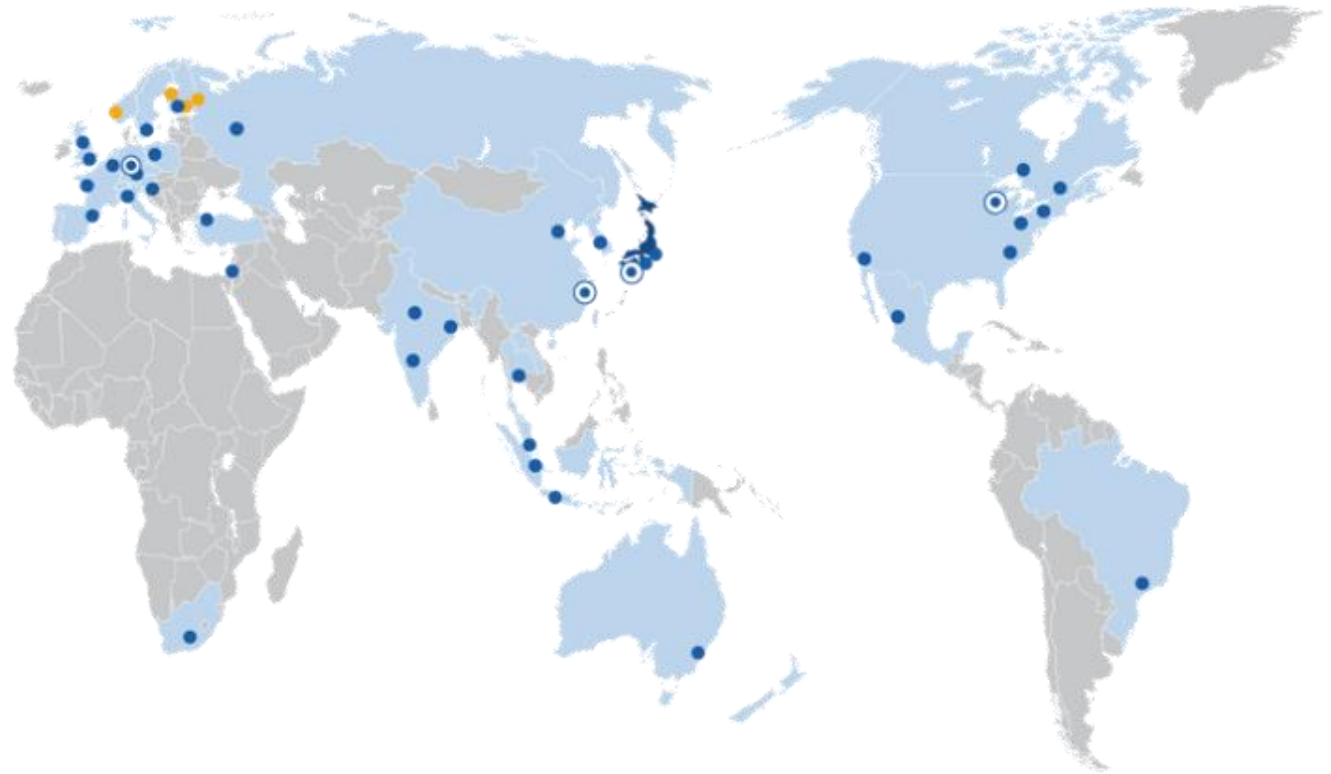
YASKAWA – GLOBALNY LIDER



€ 3,5 Miliardów
Sprzedaż roczna



14.500
Pracowników



GLOBALNY DOSTAWCA SYSTEMÓW AUTOMATYKI I ROBOTYKI

YASKAWA HISTORIA



Founder
Keiichiro
Yasukawa

Chairman
Junji
Tsuda



President
Hiroshi
Ogasawara



Establishment



1915 - Development of Electric Motors (for coal mining)



DC Servomotors



1958 – Development of “Minertia Motor”



1977 – Development of “MOTOMAN-L10”

1972 – Registration of Trademark “Mechatronics”

AC Drives



AC Servo Drives and Servo Motors



Portfolio of > than 100 Industrial Robots



Development of next generation robots

Mechatronics

Clean Power

Humatronics

ZAKŁADY PRODUKCYJNE W EUROPIE



Centrala, Systemy

Allershausen
Niemcy



Kontrolery, Systemy, Pozycjonery

Torsås
Szwecja



Risto
Słowenia

Pozycjonery, Systemy, Przyrządy



Fabryka robotów

Kočevje
Słowenia



YASKAWA POLSKA SP. Z O.O.

- Oddział w Polsce formalnie od 2016 roku
- Lokalizacja:
Wrocławski Park Technologiczny
- 2 działy: Dział Robotyki,
Dział Techniki Napędowej i Sterowania
- Kompleksowa obsługa klienta: sprzedaż, wsparcie techniczne, szkolenia, serwis

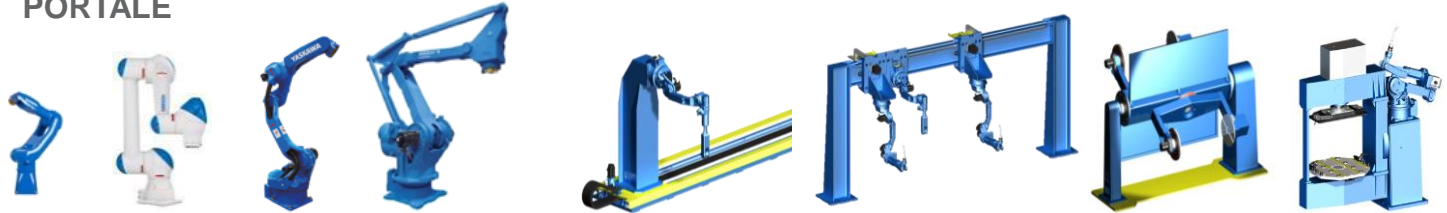


ROBOTYKA W EUROPIE – PORTFOLIO PRODUKTOWE



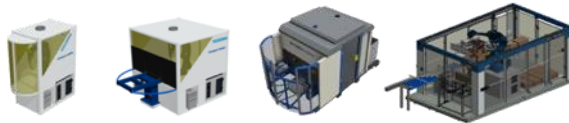
ROBOTY

ROBOTY PRZEMYSŁOWE, POZYCJONERY, TORY JEZDNE, PORTALE



SYSTEMY

SYSTEMY STANDARDOWE

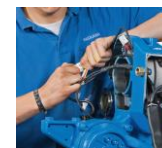


SYSTEMY NIESTANDARDOWE



SERWIS
YASKAWA ACADEMY

TCS – SERWIS, NAPRAWY, CZĘŚCI ZAMIENNE, AUDYTY BEZPIECZEŃSTWA



YASKAWA - POZYCJONERY



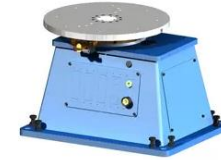
POZYCJONER
H



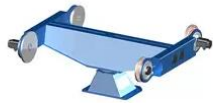
POZYCJONER
HSB



POZYCJONER
Pozycjoner



POZYCJONER
R



POZYCJONER
RWV2



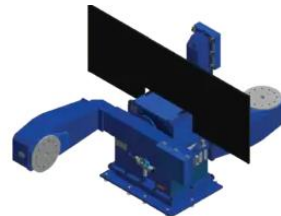
POZYCJONER
V2-500D3



POZYCJONER
H2-500D3



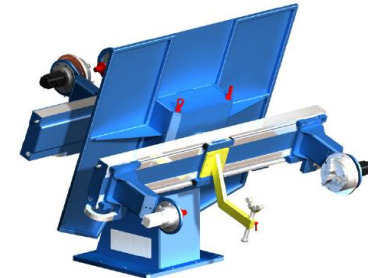
POZYCJONER
RWV4



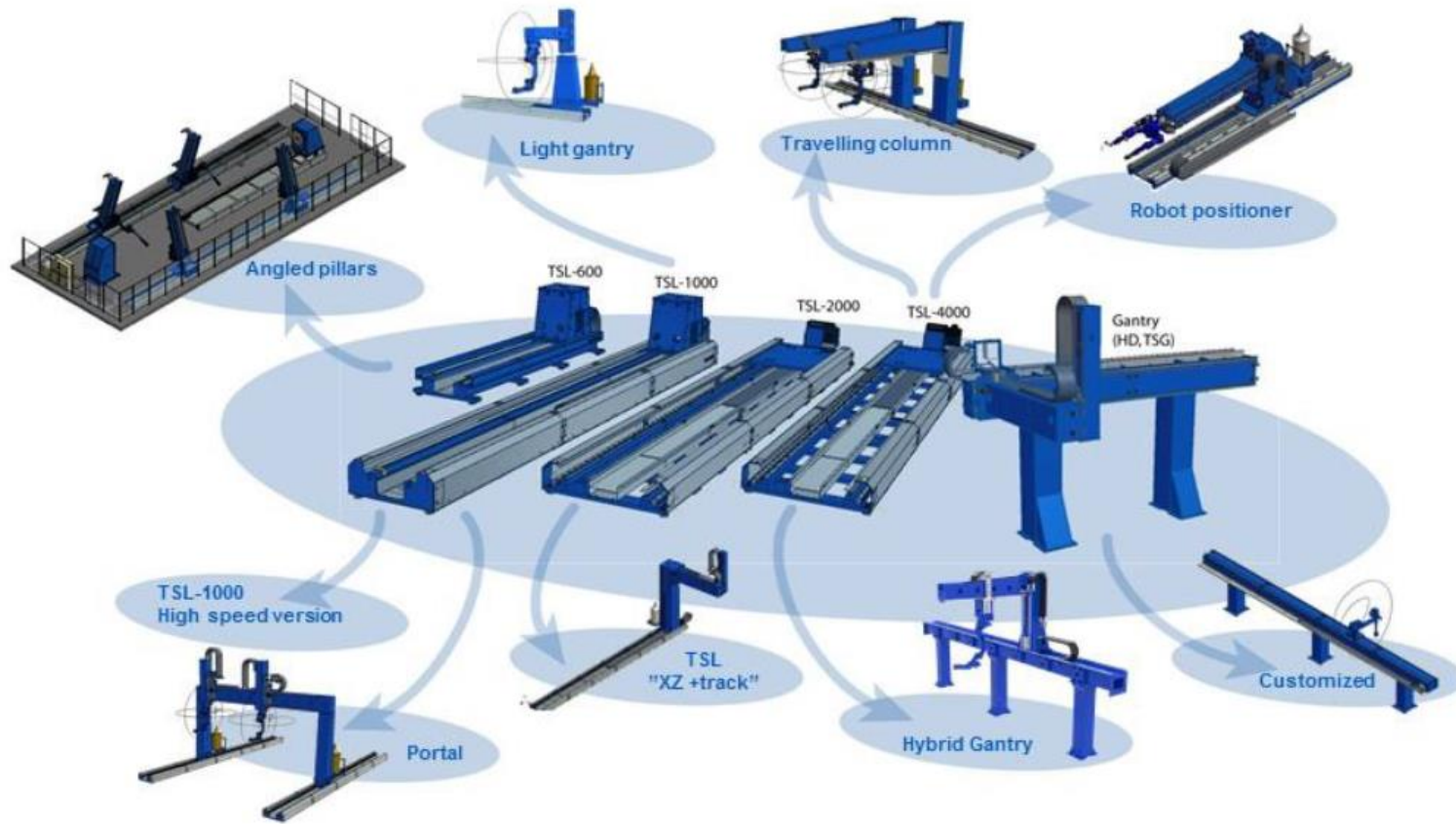
POZYCJONER
VMF



POZYCJONER
B2L/B2C



YASKAWA – TORY JEZDNE, SYSTEMY GANTRY



LINEAR MOTION RANGE



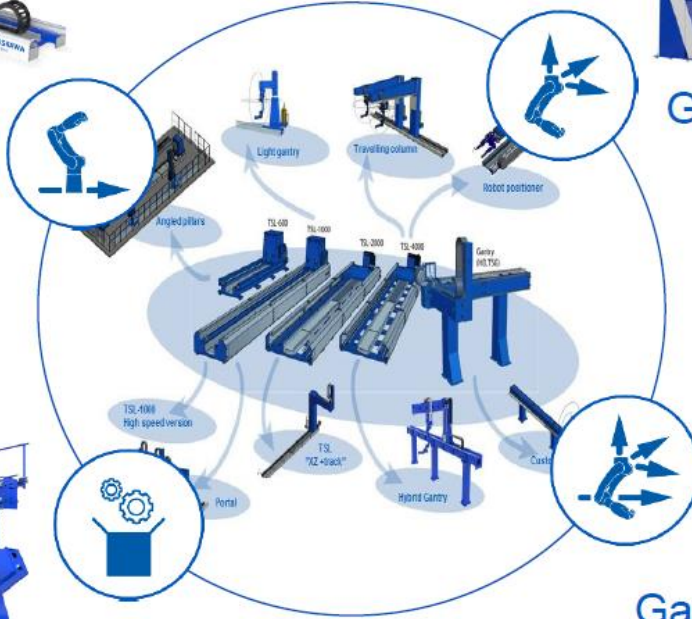
Tracks



Gantries



Customized standard



Gantry on tracks

ON TRACK GANTRY



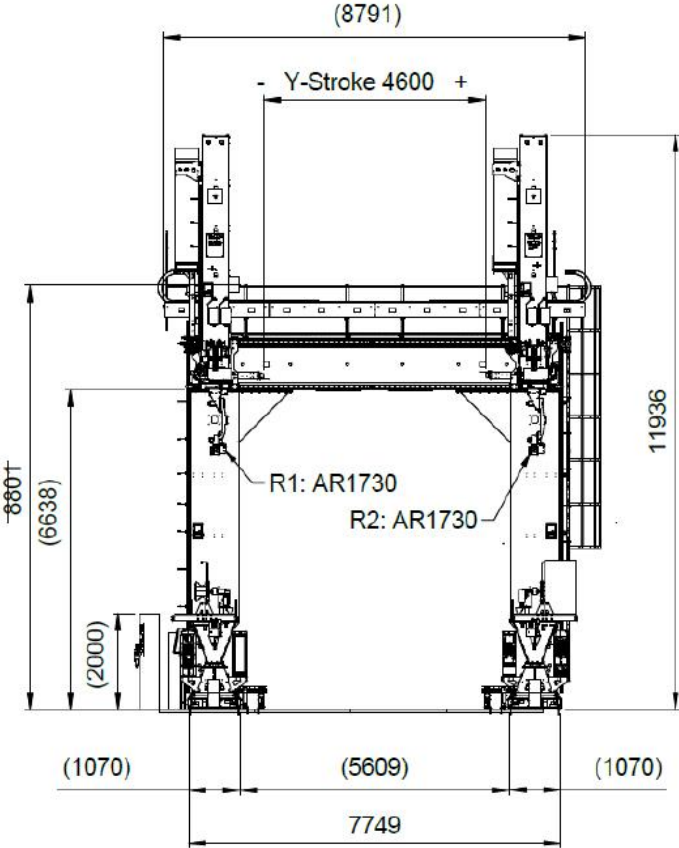
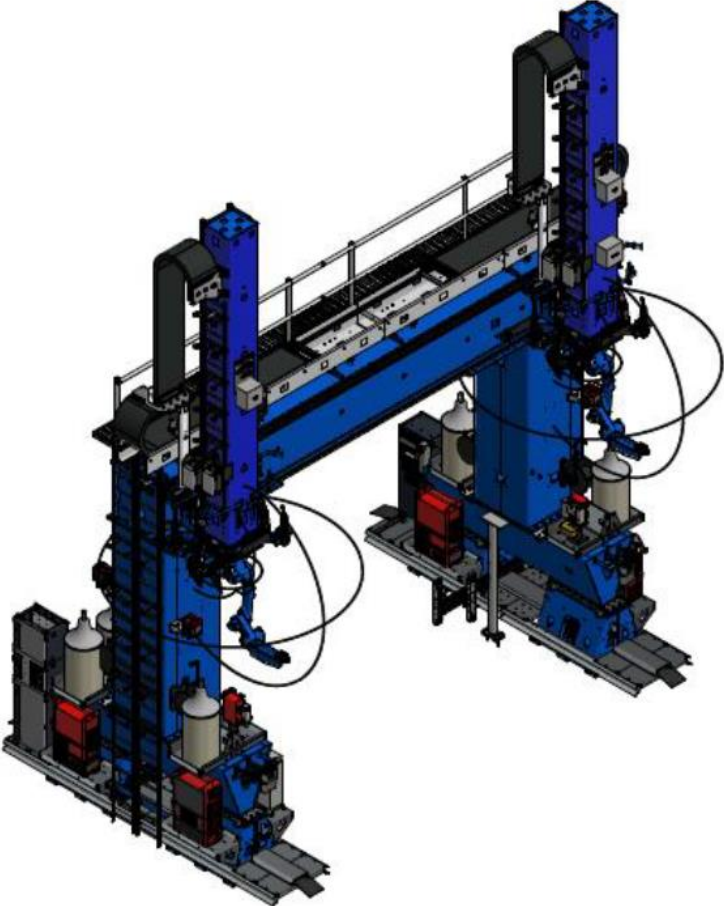
Length

- Standard between 2m – 24m

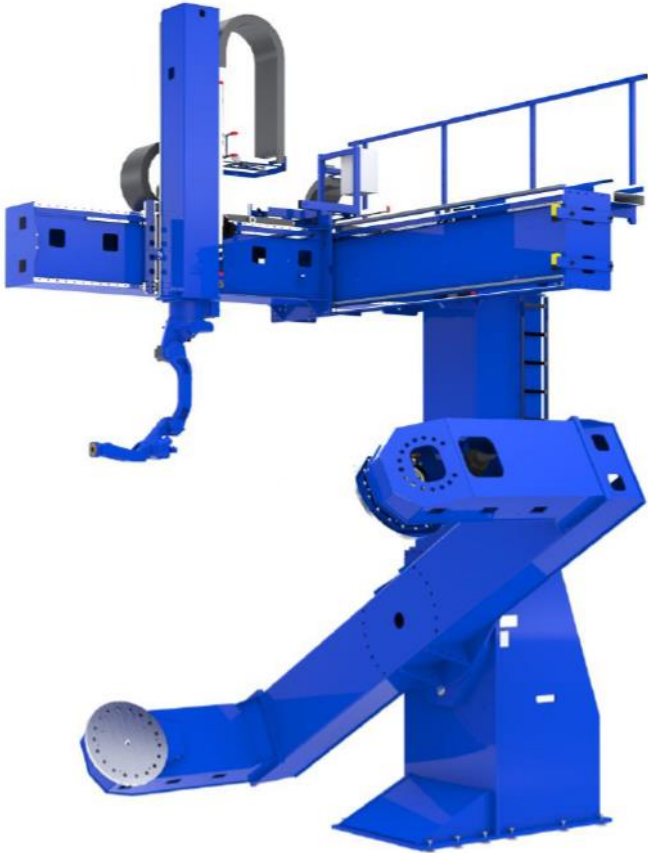
Strokes

- X - 4000mm
- Z - 2000mm

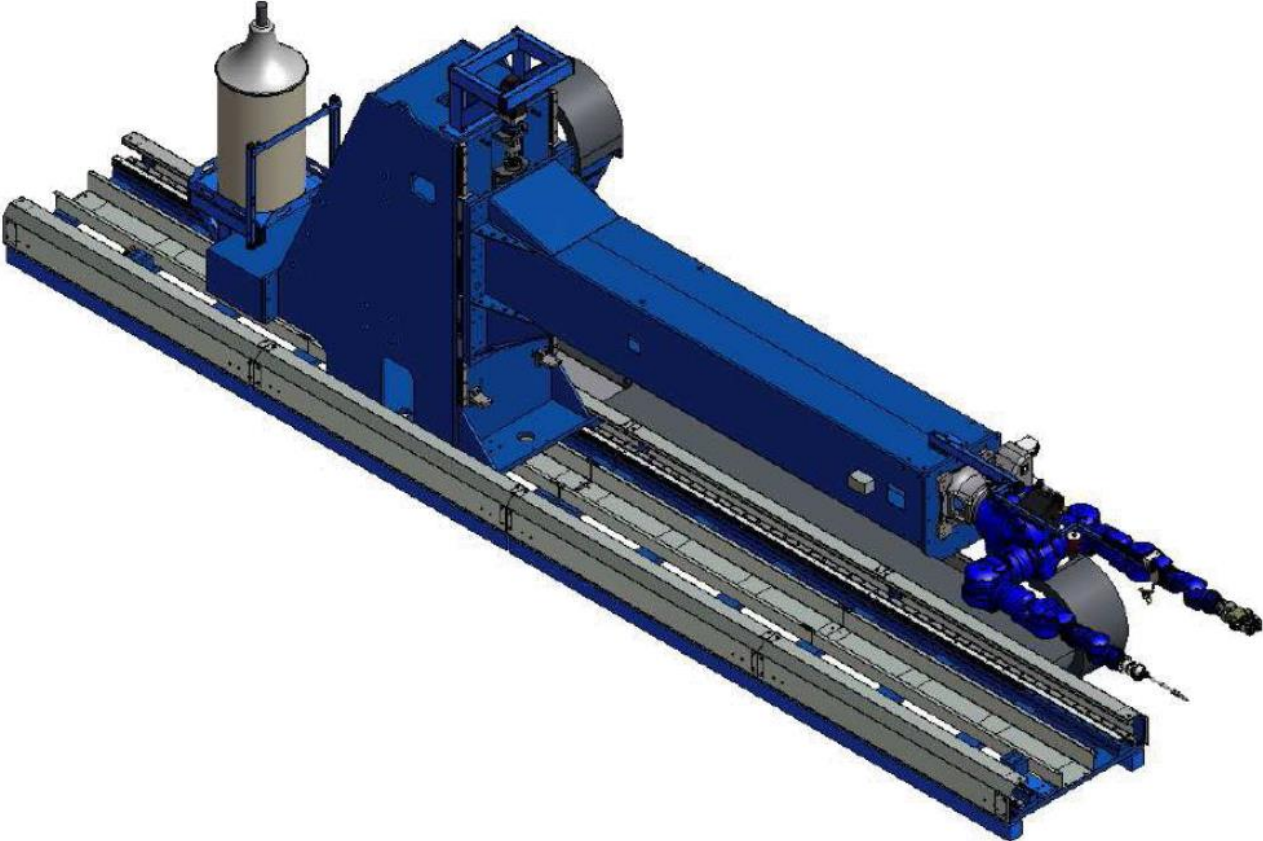
PORTAL GANTRY

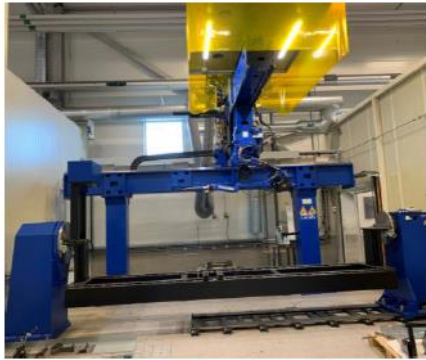


COMPACT GANTRY



TUNNEL POSITIONER







CYFROWY BLIŹNIAK, OPROGRAMOWANIE 3D

DELFOI ROBOTICS

Fast and easy offline programming

SMART PENDANT

SMART PENDANT VIDEO



Next Generation of Robot Programming

Radically changes the way
a robot is programmed

Intuitive human-machine interface

Ideal for novice robot programmers

Smartphone-like touchscreen

Quick and easy learning curve

Fast implementation

ROBOT KITS FOR SCHOOLS & UNIVERSITIES

Hardware							
MotoMini 13.330 €		GP4 14.100 €		GP7 14.570 €		GP8 14.570 €	
							
MotoMini - YRC1000micro Teach Pendant 8m	MotoMini - YRC1000micro Smart Pendant 8m	GP4 - YRC1000micro Teach Pendant 8m	GP4 - YRC1000micro Smart Pendant 8m	GP7 - YRC1000micro Teach Pendant 8m	GP7 - YRC1000micro Smart Pendant 8m	GP8 - YRC1000micro Teach Pendant 8m	GP8 - YRC1000micro Smart Pendant 8m
210347 / 351173-110	210348 / 351173-111	/ 351173-140	/ 351173141	210349 / 351173-120	210350 / 351173-121	210351 / 351173-130	210352 / 351173-131
Software							
Education Software Function Package for Motomini & TeachP	Education Software Function Package for MotoMini & SmartP	Education Software Function Package for GP4 & TeachP	Education Software Function Package for GP4 & SmartP	Education Software Function Package for GP7/8 & TeachP	Education Software Function Package for GP7/ & SmartP	Education Software Function Package for GP7/8 & TeachP	Education Software Function Package for GP7/ & SmartP
210378 / F210378	210379 / F210379	/	/	210380 / F210380	210381 / F210381	210380 / F210380	210381 / F210381
Included Parts							
Hardware Options included: 6m Robot Cable, I/O Connector, Media Connector Kit, PDF Manuals, PFL Cables (only for HC10)							
Software Functions included: Standard Settings, Standard Settings Expanded, F-Package General, F-Package General Advanced, Initialisation Robot Application, Safety Reteach, Macros 16, Arm Interference cube check, I/O Output Timing, PP Customization runtime		Software Functions included: Standard Functions Settings, Standard Setting Expanded, F-Package General, F-Package General Advanced, Initialization Robot Application, Safety Reteach, Macros 16, Arm Interference cube check, I/O Output Timing, PP Customization runtime, Single Axis & Linear Servo float			Software Functions included: Standard Settings, Initialisation Robot Application, Safety Reteach, Macros 16, Arm Interference cube check, I/O Output Timing, Function Package HC Robot		

+ Additional Options & Accessories from the Standard Price Book, e.g. FSU, Fieldbus, Transport,

TEACHME CELL WITH GP8/GP7

Schools/Universities



Scope of Delivery:

- Robot: GP8
- Controller: YRC1000 + Teach Pendant
- Schunk Gripper MPG+64
- Miniature Pallets and Blocks
- CEE socket 400V
- Complete station on wheels
- Safety scanner with light beacon

Key Benefits:

- For customers who do In-House Trainings
- Easy to operate
- Compact size, foldable table, suitable for an office or classroom
- align your training with the proven didactic concept of the Yaskawa Academy



Schunk MPG+ 64 Gripper included

- Pneumatic
- Stroke per jaw: 10 mm
- Closing force: 300 N
- Opening force: 280 N
- Recommended workpiece weight: 1.25 kg

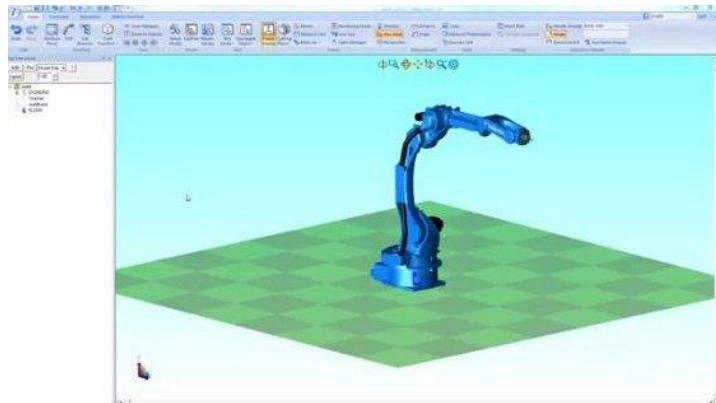
https://schunk.com/hu_en/gripping-systems/product/17402-0305541-mpg-plus-64/

Robot	Controller	SAP-Number YEU	Order-Number YNR	End-Customer Price
GP8	YRC1000 (400V, 3 phase)		143933-100	27.800 €
	YRC1000 (230V, 1 phase)		143933-101	27.800 €
GP7	YRC1000 (400V, 3 phase)		143933-107	27.800 €
	YRC1000 (230V, 1 phase)		143933-108	27.800 €

MOTOSIM-VRC OFFLINE SIMULATION SOFTWARE



- Licence Packages exclusively for educational purposes
- Full functionality



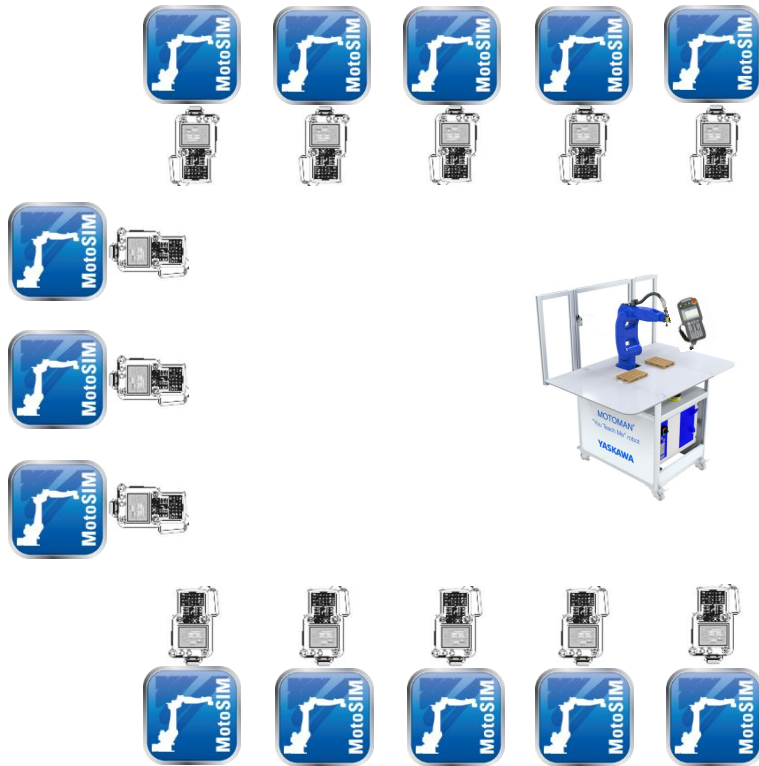
Number of Users	SAP-Number YEU	YNR-Order Number	Discounted Price
5	193069	441320100	670 €*
10	193070	441320101	1.040 €*
20	193071	441320102	1.790 €*
30	193072	441320103	2.540 €*
40	193073	441320104	3.285 €*

* NO DISCOUNT POSSIBLE

MotoSim: Free Trial Period = 90 days.

https://www.yaskawa.eu.com/products/software/productdetail/product/motosim_1686

TYPICAL CLASSROOM SETUP



Packages of 5, 10, 20, 30 or 40 licences of **MotoSim** for PC

Equivalent number of TeachBox Dummies

→ for **offline programming**

Minimum one TeachMe Cell

→ for **physical training**

Example:

Product	Cost
1 TeachMe Cell	23.500 €*
10 MotoSim Licences	1.040 €*
10 TeachBox Dummies	15.000 €*
TOTAL	39.540 €*

* NO DISCOUNT POSSIBLE

YASKAWA